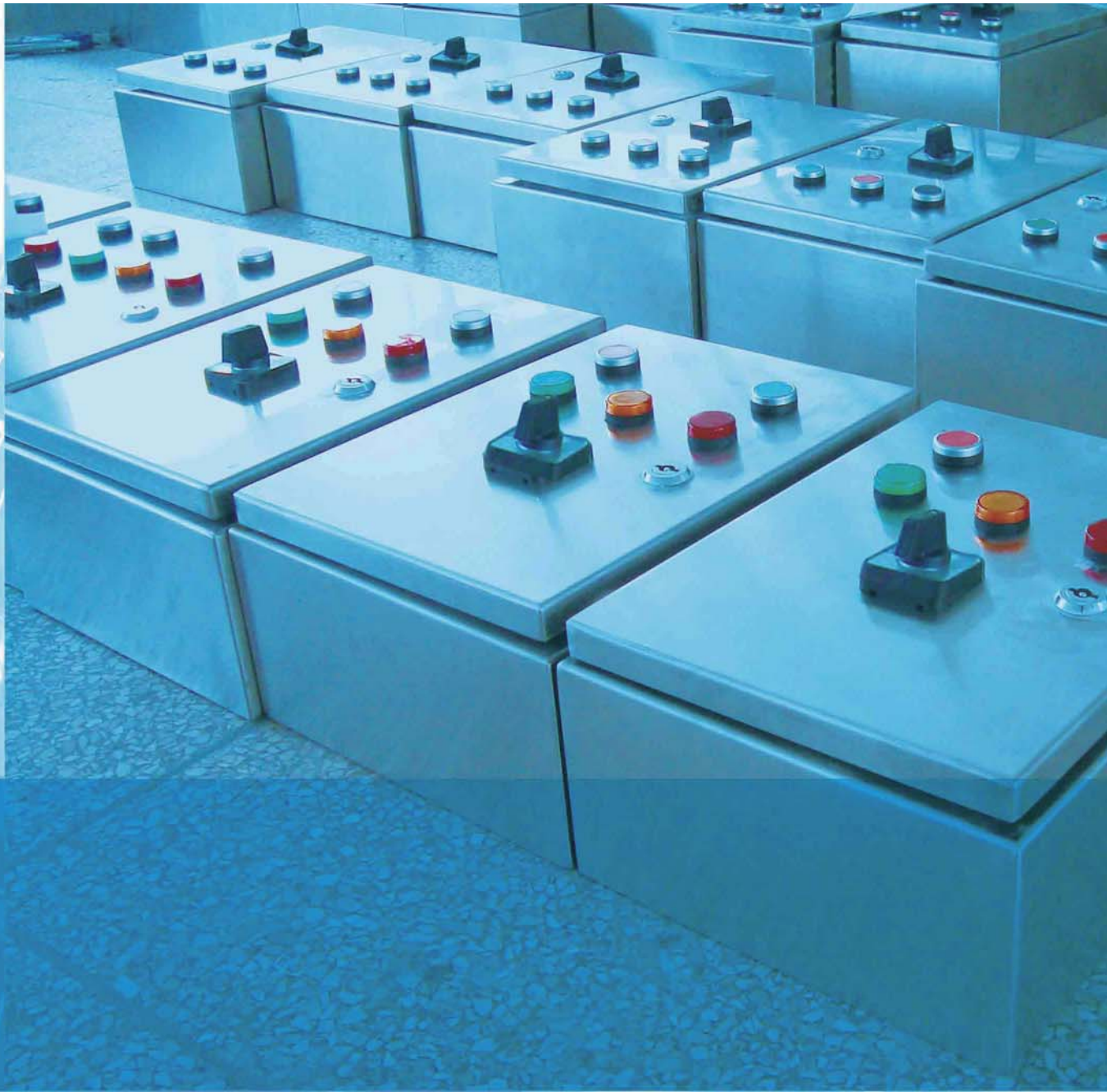


2014-2015

# Miniature control cabinet set

TYC series





Shanghai Tayee Electric Co., Ltd. enjoys a good reputation in its industry for quality products and perfect services and is a leader in the field of electronic controls. By means of continuous technical advances and innovation, the company has already developed excellent capabilities for the design and development of product series, and is able to realize all types of automated system design, hardware support, and onsite installment and commission. The types of control set equipment produced by the company include miniature control cabinet series, high temperature resistant cabinet series, piano-style console series, DS frame-style general control cabinet series and outdoors cabinet series etc. The products have accumulated dozens of patents and awards. The wide range of applications for the company's products includes industries such as rail transportation, aerospace, alloys, chemicals, power transmission and distribution, and shipping etc.





# Contents

- 02 Control cabinet series
- 05 High temperature resistant cabinet series
- 08 Piano-style console series
- 11 DS frame-style general control cabinet series
- 14 outdoors cabinet series

## Control cabinet series



### Product overview

TAYEE has accumulated years of R&D experience and capabilities to design and develop product series for specific requirements. The company can take on any type of engineering project and provide ProfiBus-based solutions. TAYEE has a full range of product specifications and utilizes polycarbonate (PC), acrylic butadiene styrene (ABS), stainless steel and cold rolled steel etc. to build its cabinets. Its products are widely applied in many industries such as energy, petrochemical, railway and shipping etc.

### Product features

- Compact structural design, attractive exteriors, and convenient installation with all types of accessories and supporting rails.
- The material of cabinet bodies includes polycarbonate (PC), acrylic butadiene styrene (ABS), stainless steel and cold rolled steel, meeting different industrial and environmental requirements.
- Ability to use different assembly methods including extrusion, riveting and welding etc.
- Plastic cabinet bodies adopt lead sealing with hinge or cabinet lid screws and have prefabricated holes suited for metric screws. They can be fixed in the following three methods:
  - 1) Directly fixed on the wall with screws;
  - 2) Hung on the wall using optional hooks;
  - 3) Fixed with a custom-made flange bracket according to dimensions of cabinets.
- Cabinet doors can be sealed in place with high elasticity polyurethane to ensure good sealing properties.
- With electrophoretic dip coating and powder coating, cold rolled steel cabinets are evenly coated to realize reliable surface protection and improve the protection rating of the product.
- All sorts of components can be installed on the cabinet body and can be respectively installed to carry out different functions such as protection, operation, transformation, control, adjustment and testing etc., thereby realizing all types of smart control.

### Standard configuration

- Hinge
- Clasp
- Installation plate
- Cable waterproof connector (Optional)



## Conditions for use

Ambient temperature	-5°C-40°C	Relative humidity	≤90% (20°C时) ≤50% (40°C)
Altitude	≤2000m	Protection rating	IP65、IP54

## Technical parameters

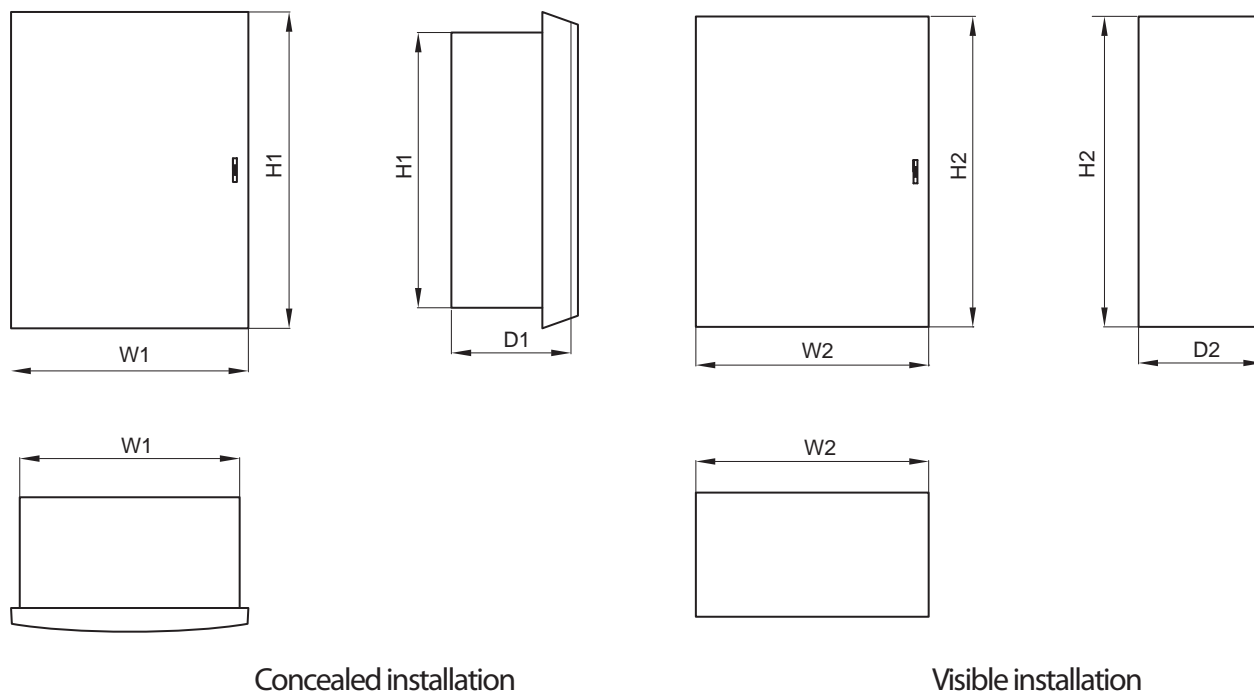
Rated operational voltage	AC400V	Rated operational current	≤400A
Rated insulation voltage	660V	Rated short-term withstand current	6KA

## Model definition

TYC	-	X	-	□	-	□	-	□
Enterprise code		Cabinet name		Cabinet body material		Specification model		Type of prefab holes
Shanghai Tayee Electric control cabinet set code		Miniature control cabinet		Polycarbonate PC Acrylonitrile butadiene styrene ABS Stainless steel BX Cold rolled steel L		10503 10504 13502 13503 16501 16502 20001		With prefab holes A Without prefab holes (Note: the standard configuration is without prefab holes)

## Control cabinet series

### External installation dimension diagrams



Concealed installation

Visible installation

Cabinet model	Width $W_1/W_2$ (mm)	Height $H_1/H_2$ (mm)	Depth $D_1/D_2$ (mm)
10503	175	250	105
10504	200	300	105
13502	350	250	135
13503	300	300	135
16501	300	400	165
16502	400	700	165
20001	400	500	200

Note: Please discuss with us in further detail with specific requirements.

### Ordering information (The following materials must be available by users)

1. One-line diagram of main circuit;
2. Schematic diagram or wiring schematic diagram;
3. Detailed specifications and quantities of all equipment installed to the cabinet and a completed ordering sheet (see P17);
4. Arrangement and combination diagrams, and floor layout diagrams of switch cabinet.

## High temperature resistant cabinet series



### Product overview

TAYEE has specially researched and developed a high temperature resistant series of control cabinets to meet the requirements of certain customer equipments working in specific environment. Cabinet bodies are made with top grade cold rolled making it with the best temperature uniformity and stability in Chin to resist up to extreme temperature of 280oC. They are widely applied in subway air flues for failure of heat rejection fans and onsite operation of fans' air valves to assure the normal functionality of the control system under abnormally high temperature. The product is also widely used for the fire control of electric power distribution in high temperature environment.

### Product features

- Cabinet bodies are designed to work normally in high temperature conditions of 280oC for up to one hour and to work continuously for up to 5 days in high temperature conditions of 55oC.
- Outer cabinets are made with superior grade cold rolled steel plate, and product casings are coated with an environmentally friendly metallic paint to effectively guard against aging.
- Cabinet bodies are produced with advanced equipments and leading technical processes in the industry, making the appearance streamlined and stylish.
- Thermal insulation material used between the operation cabin and external cabinet is superior ultra-fine fiberglass plate with a more-than-50mm thermal insulation layer and excellent thermal insulation effects. It constitutes the best insulated structure available in the domestic market. From the inner to the outer, the structure contains internal controls, inner casing, ultra-fine fiberglass, bakelite plate and air blanket with minimized internal heat loss. The interior membrane and door structure of the external cabinet are unique and greatly reduce outward transmission of the heat.
- Doors are sealed to the cabinet with high performance sealing material and a unique rubber gasket structure, which provides exceptional seal, high temperature resistance and aging resistance.
- The product has passed testing by China National Center for Quality Supervision and Test of Fire-fighting Systems and Fire-resisting Building Components.

### Standard configuration

Standard configuration of flange-style cable connector (Size of connector should be purchased according to customer' s requirement)

## High temperature resistant cabinet series

### Conditions for use

Ultimate temperature	280°C	Relative humidity	≤90% (20°C时) ≤50% (40°C)
Altitude	≤2000m	Protection rating	IP 65

### Technical parameters

Rated operational voltage	AC 400V	Rated operational current	≤400A
Rated insulation voltage	660V	Rated short-term withstand current	6KA

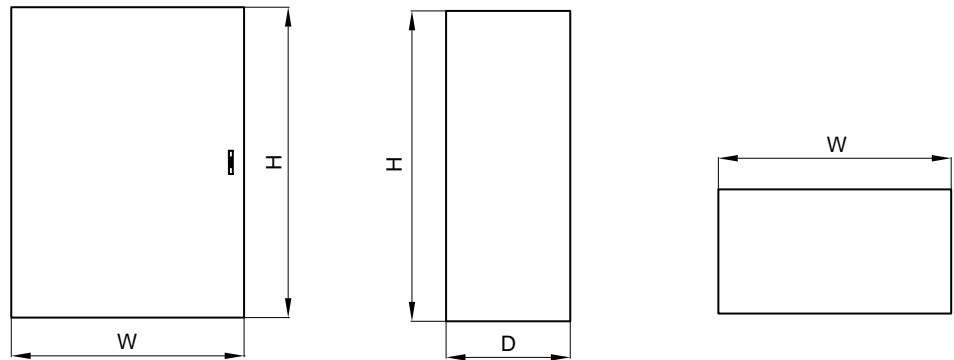
### Model definition

TYC	-	N	-	L	-	□
Enterprise code		Cabinet name		Cabinet body material		Specification modelhh
Shanghai Tayee Electric control cabinet set code		High temperature resistant cabinet		Cold rolled steel L		001 002





## External installation dimension diagrams



Cabinet model	Width W (mm)	Height H (mm)	Depth D (mm)
001	350mm	550mm	270mm
002	400mm	690mm	350mm

Note: Please discuss with us in further detail with specific requirements.

## Ordering information (The following materials must be available by users):

1. One-line diagram of main circuit;
2. Schematic diagram or wiring schematic diagram;
3. Detailed specifications and quantities of all equipment installed to the cabinet and a completed ordering sheet (see P17);
4. Arrangement and combination diagrams, and floor layout diagrams of switch cabinet.

## Piano-style console series



### Product Overview

TAYEE's piano-style console series adopts steel plate structure with superior quality that has strong generality. The operation panel can be optional with a hydraulic support with excellent ventilation and heat dispersion effects, the anti-dust function, and humanized design. The console has two types of all-in-one type and split type. It's made with stainless steel and cold rolled steel plate and can be supplemented with module by using system accessories to provide customers perfect and economic operation console solutions. The product is widely used in areas such as energy industry, steel industry, petrochemical industry, railway transportation and shipping industry etc.

### Product features

- Adopt superior structure of cold rolled steel plate resulting in a streamlined appearance which is like an exquisitely unique piano.
- Flexible console structure with all-in-one type and split type. The split type is made up of top, middle and bottom parts. It can be attached with air spring arms on plates of either desktop or upright style according to customer requirements, and can also be opened up to 60° to allow convenient installation and maintenance.
- The edges of groove-style cabinet can be completely sealed with sealing gaskets to protect the cabinet interior and effectively improve the cabinet's seal.
- The console's top and sides can be fitted with anti-dust nets to effectively improve ventilation and heat dispersion effects, and also to avoid any operation failure.
- The control console design is an assembled structure that can be used by the individual, by multi-assembly or as a flat station by removal of the top. The bottom portion can be fitted with a base according to requirements for transportation convenience and stability improvement.
- Internal components within console are mutually linked to provide ease of maintenance.

### Standard configuration

- A installation plate
- Front double (single) opening door(s)

# Piano-style console series

## Conditions for use

Ambient temperature -5°C-40°C	Relative humidity ≤ 90% (20°C时) ≤ 50% (40°C时)
Altitude ≤ 2000m	Protection rating IP54

## Technical parameters

Rated operational voltage	AC 400V	Rated operational current	≤ 400A
Rated insulation voltage	660V	Rated short-term withstand current	36KA

## Model definition

TYC - QT - □ - □ - □

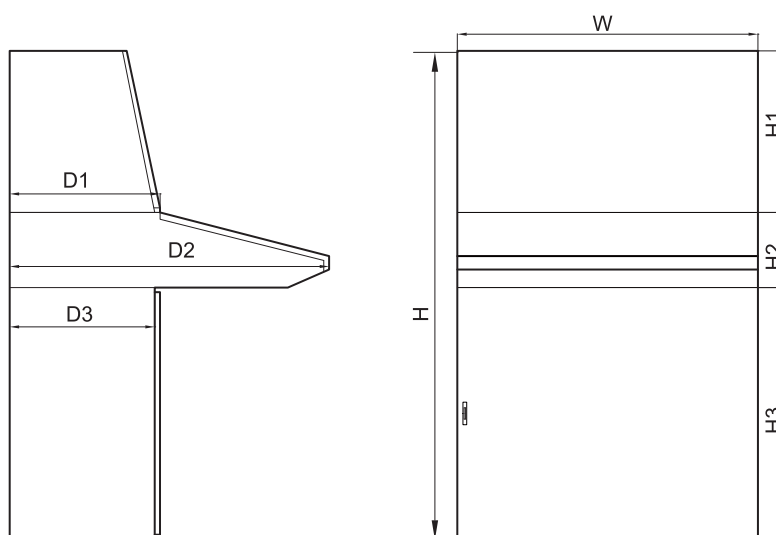


Enterprise code	Cabinet name	Cabinet body material	Combination type	Specification model
Shanghai Tayee Electric control cabinet set code	Piano-style console series	Stainless steel BX Cold rolled steel L	All-in-one type Y Split type F	106010 108010 101010 101210 126010 128010 121010 121210 146010 141010 141210

Note: Standard piano-style console series cabinet is all-in-one type. It also can be custom-made with specific requirements.

## Piano-style console series

### External installation dimension diagrams



Specification model	Width W (mm)	Height H (mm)*	Depth D1/D3 (mm)	Depth D2 (mm)
106010	600	1000	500	1000
108010	800	1000	500	1000
101010	1000	1000	500	1000
101210	1200	1000	500	1000
126010	600	1200	500	1000
128010	800	1200	500	1000
121010	1000	1200	500	1000
121210	1200	1200	500	1000
146010	600	1400	500	1000
146010	800	1400	500	1000
141010	1000	1400	500	1000
141210	1200	1400	500	1000

Note: \*Cabinet height H is the total height (H1+H2+H3). Please discuss with us in further detail with specific requirements.

### Ordering information (The following materials must be available by users):

1. One-line diagram of main circuit;
2. Schematic diagram or wiring schematic diagram;
3. Detailed specifications and quantities of all equipment installed to the cabinet and a completed ordering sheet (see P17);
4. Arrangement and combination diagrams, and floor layout diagrams of switch cabinet.

# DS frame-style general control cabinet series



## Product Overview

TAYEE' s DS frame-style general control cabinet series adopts the design of standard modular mounting hole. It can be opened up to 130° to provide ease of installment and dismantlement, and has the protection rating of IP54. The product can be supplemented with module by using system accessories to provide customers solutions for all types of control equipments. Cabinet bodies are produced with stainless steel and cold rolled steel plate etc. The product is widely used in areas such as energy industry, steel industry, petrochemical industry, railway transportation and shipping industry etc.

## Product features

- Adopt the superior structure of steel plate and the design of standard modular mounting hole resulting in strong generality.
- Bearing hinge and door design make the installation convenient. The door can also be opened up to 130° .
- Rugged rectangular frame style design not only reinforces front door strength but also can be used to fix electrical components (matched with horizontal installation strips).
- Top plate, side plate, rear plate and bottom plate are fixed with screws for ease of installation and dismantlement.
- Cabinet doors are fitted with earthed bolts to create a secure and dependable protection system.
- Cabinet doors are sealed with high elasticity PU to ensure excellent sealing performance.
- Side plate, front back door, top plate, and bottom plate of the entire cabinet frame can be removed to suit any requirement and to provide convenient installation and maintenance.

## Standard configuration

- An installation plate
- Front single opening door
- Two vertical installation bars
- Without side plate
- Several installation strips (matched with components within cabinet)
- Internal light for ease of installation and testing (Optional)
- Document pocket for ease of onsite work (Optional)
- Installation bar for installation in the cabinet without using installation plate (Optional)
- Fan and filter net to ensure ventilation in the cabinet with protection rating IP54 (Optional)
- Base has two types of fixed type and removable type. Both are easily dismantled and installed (Optional)
- Double installation plates with large installation capacity (Optional)



## DS frame-style general control cabinet series

### Conditions for use

Ambient temperature	-5°C-40°C	Relative humidity	≤90% (20°C时) ≤50% (40°C时)
Altitude	≤2000m	Protection rating	IP54

### Technical parameters

Rated operational voltage	AC 400V	Rated operational current	≤400A
Rated insulation voltage	660V	Rated short-term withstand current	36KA

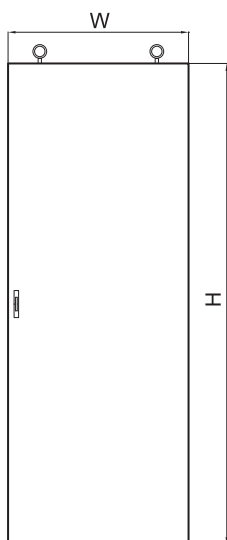
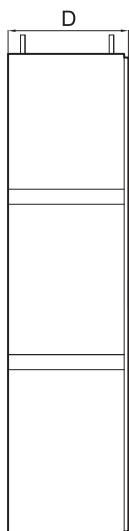
### Model definition



TYC	-	DS	-	□	-	□
Enterprise code		Cabinet name		Cabinet body material		Specification model
Shanghai Tayee Electric control cabinet set code		Frame-style general control cabinet		Stainless steel BX Cold rolled steel L		166040、168050 161250、186040 186050、187050 188050、188040 181040、181240 206050、208050 201050、201060 208060、206060 201080、201260 201280、201250 217050、226050 228050、221050 221050、226060 228060、221060 221060、228080 221080、221280

## DS frame-style general control cabinet series

### External installation dimension diagrams



Cabinet model	Width W (mm)	Height H (mm)	Depth D (mm)
166040	600	1600	400
168050	800	1600	500
161250	1200	1600	500
186040	600	1800	400
186050	600	1800	500
187050	700	1800	500
188050	800	1800	500
188040	800	1800	400
181040	1000	1800	400
181240	1200	1800	400
206050	600	2000	500
208050	800	2000	500
201050	1000	2000	500
201060	1000	2000	600
208060	800	2000	600
206060	600	2000	600
201080	1000	2000	800
201260	1200	2000	600
201280	1200	2000	800
201250	1200	2000	500
217050	700	2100	500
226050	600	2200	500
228050	800	2200	500
221050	1000	2200	500
221250	1200	2200	500
226060	600	2200	600
228060	800	2200	600
221060	1000	2200	600
221260	1200	2200	600
228080	800	2200	800
221080	1000	2200	800
221280	1200	2200	800

Note: Please discuss with us in further detail with specific requirements.

### Ordering information (The following materials must be available by users):

1. One-line diagram of main circuit;
2. Schematic diagram or wiring schematic diagram;
3. Detailed specifications and quantities of all equipment installed to the cabinet and a completed ordering sheet (see P17);
4. Arrangement and combination diagrams, and floor layout diagrams of switch cabinet.

## Outdoor cabinet series



### Product Overview

The outdoor cabinet series has been specifically designed by TAYEE for equipments used in exterior applications and exposed to rain and fog conditions. The product consists of a cabinet body, mechanical core and cabinet door made of insulation plate with multiple styles, a full range of specifications and protection rating up to IP67. Cabinet bodies are made of materials such as polycarbonate (PC), acrylic butadiene styrene (ABS), stainless steel and cold rolled steel etc. It's widely used in industries such as metallurgy, chemicals, railway transport, energy distribution control and shipping.

### Product features

- A rainproof cover on the top of cabinet prevent water invasion.
- Adopt the design of standard modular mounting hole for ease of installation.
- A rainproof lock is fitted on cabinet to lock cabinet doors at the top, middle and bottom points.
- Cabinet bodies and doors are fitted with earthed bolts to create a secure and dependable protection system.
- Bearing hinge and door design make the installation convenient. The door can also be opened up to 130° .
- The installation plate can get through guide rails with a plastic slider so that the installation plate can be pushed into cabinet from its front side.
- Rugged rectangular frame style design not only reinforces front door strength but also can be used to fix electrical components (matched with horizontal installation strips).
- Top plate, side plate, rear plate and bottom plate are fixed with screws for ease of installation and dismantlement.
- Cabinet doors are sealed with high elasticity PU to ensure excellent sealing performance.
- The edges of groove-style cabinet can be completely sealed with sealing gaskets to protect cabinet interior against water and dust.

### Standard configuration

- Installation bar for installation in the cabinet without using installation plate.
- Rainproof cover to prevent water invasion
- Thermal-insulating flow deflector is installed on the door to cool the machine by thermal-insulation and flow deflection
- Internal light for ease of installation and testing (Optional)
- Base for ease of dismantlement and installment (Optional)
- A 15-20mm captive bubble rubber thermal-insulation layer can be fitted inside the cabinet according to requirements (Optional)

## Outdoor cabinet series

### Conditions for use

Ambient temperature	-5°C-40°C	Relative humidity	≤90% (20°C时) ≤50% (40°C)
Altitude	≤2000m	Protection rating	IP65

### Technical parameters

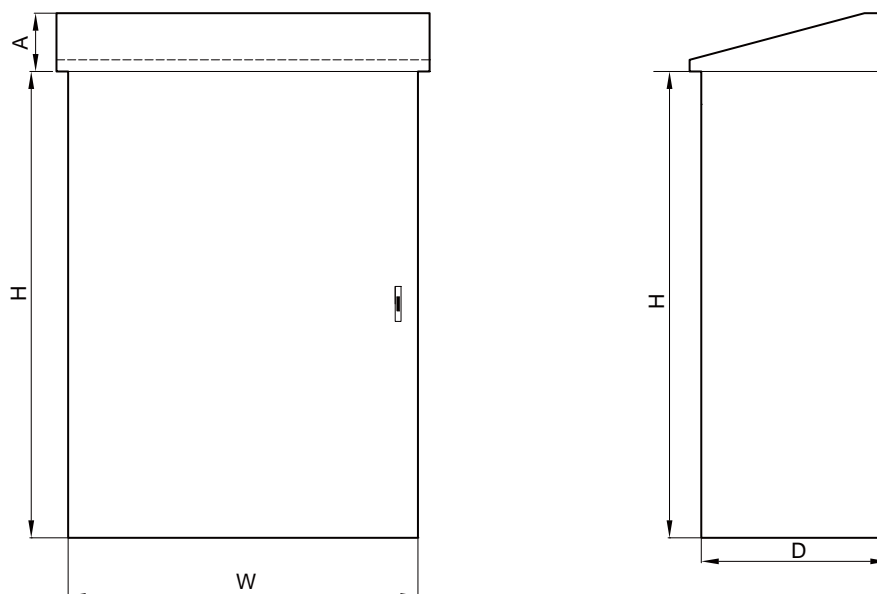
Rated operational voltage	AC400V	Rated operational current	≤400A
Rated insulation voltage	660V	Rated short-term withstand current	6KA

### Model definition

TYC	-	HW	-	□	-	□	-	□
Enterprise code		Cabinet name		Cabinet body material		Specification model		Type of prefab holes
Shanghai Tayee Electric control cabinet set code		Outdoor cabinet series		Polycarbonate PC Acrylonitrile butadiene styrene ABS Stainless steel BX Cold rolled steel L		10503 10504 13502 13503 16501 16502 20001		With prefab holes A Without prefab holes (Note: the standard configuration is without prefab holes)

## Outdoor cabinet series

### External installation dimension diagrams



Cabinet model	Width W (mm)	Height H (mm)	Depth D (mm)	Height of Rainproof cover A
10503	175	250	105	45
10504	200	300	105	45
13502	350	250	135	45
13503	330	330	135	45
16501	300	400	165	45
16502	400	500	200	45
20001	500	700	200	45

Note: Please discuss with us in further detail with specific requirements.

### Ordering information (The following materials must be available by users):

1. One-line diagram of main circuit;
2. Schematic diagram or wiring schematic diagram;
3. Detailed specifications and quantities of all equipment installed to the cabinet and a completed ordering sheet (see P17);
4. Arrangement and combination diagrams, and floor layout diagrams of switch cabinet.

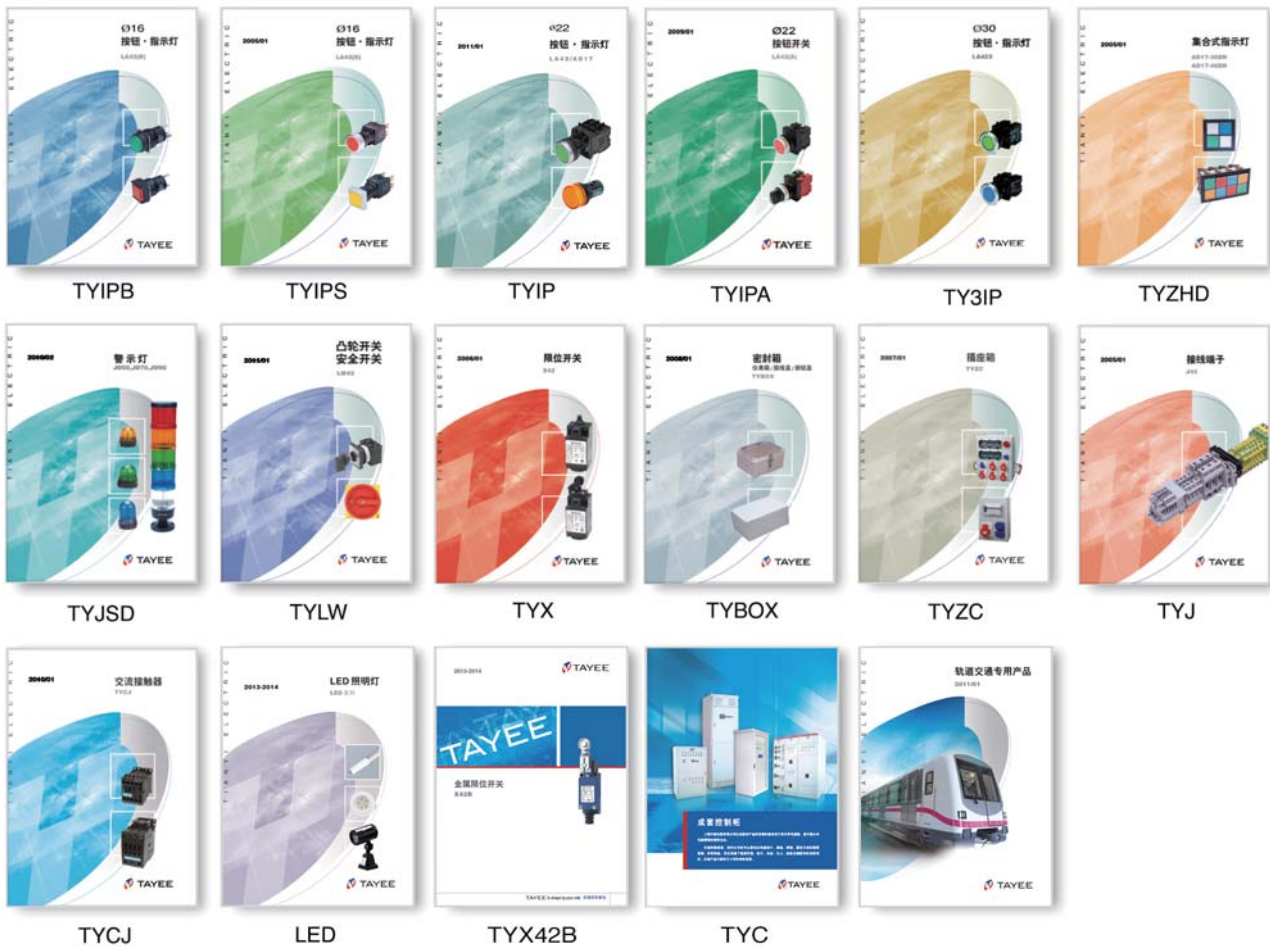


## Order information

Cabinet body	Cabinet dimension	<input type="checkbox"/> Cabinet model _____			
		<input type="checkbox"/> L x W x H _____			
Cabinet material		<input type="checkbox"/> PC <input type="checkbox"/> ABS			
		<input type="checkbox"/> Steel _____			
		<input type="checkbox"/> Other _____			
Installation method	<input type="checkbox"/> Standard cabinet type	<input type="checkbox"/> Hanging type	<input type="checkbox"/> Embedded type	<input type="checkbox"/> On-ground type	
Wiring method	<input type="checkbox"/> Down in and Up out	<input type="checkbox"/> Down in and Down out			
	<input type="checkbox"/> Up in and Down out	<input type="checkbox"/> Up in and Up out			
	<input type="checkbox"/> Other methods				
	<input type="checkbox"/> Size of connector _____				
	<input type="checkbox"/> In/Out cable size _____				
	<input type="checkbox"/> Requirements of prefab : _____				
	<input type="checkbox"/> Requirements of standard installation plate: _____				
	<input type="checkbox"/> Instruction sheet of component parameter				
<p>Following information should be indicated clearly in the sheet: component parameter, voltage, current, protection, protection rating etc.            E.g. the model of cam switch, TAYEE' s article number or contact sheet; the model of indication light, color, voltage rating, contact code; pole number of socket, voltage, current.</p>					
Diagram	Standard scheme number of TAYEE	<input type="checkbox"/> Scheme number of TAYEE _____			
	Electrical diagram (Required)	<input type="checkbox"/> Electrical diagram, primary schematic diagram			
		<input type="checkbox"/> Electrical diagram, secondary schematic diagram			
Layout diagram	<input type="checkbox"/> Floor layout diagram				
	<input type="checkbox"/> Installation hole diagram				
(If not available, please provide detailed models of all components and auxiliary materials, and sizes of installation holes)					
Customer information	Customer name: _____	Order date: _____			
	Contact number: _____				

Note: When ordering products, please detach the order sheet with the dotted line and then complete the form. Thank you!





More detailed information is available for taking.  
Technology changes with each passing day, please feel free  
to contact to card when this version information.

**Hotline:**  
**400 820 4217**

Website qrcode



Low qrcode



Shanghai Tianyi Electric Co., Ltd.

Factory: 101 Beimin Road, Songjiang District, Shanghai

Tel: 021-57776240 Fax :021-67654522 Postal Code: 201611

Sales: 889 Yishan Road, Qilai Building Room 1702 Shanghai

Tel: 021-54012233 Fax :021-54012399 Postal Code:200233

http://www.tayee.com.cn Email:sale@tianyielectric.comService



More products information, please visit the website to download or for cd-rom electronic information.

Thank you for your contribution to the energy conservation and environmental protection!

TYC2014/01